

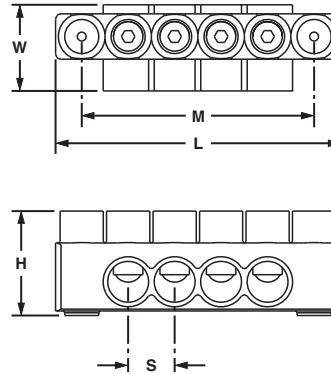


Multi-Tap Connector with Clear Insulation, Single-Sided, with Mounting Holes

For Use with Aluminum or Copper Code Conductors

Type PCSBMT-S

- Flexible design – can be used as a tap, splice, or dead end connector
- Body made from high strength, extruded aluminum alloy to provide premium electrical and mechanical performance
- Two isolated mounting holes at either end of connector facilitate direct mounting using 1/4" bolts
- Insulated with clear PVC to eliminate the need for taping and allow for visual inspection of the complete conductor insertion
- Each port pre-filled with oxide inhibiting joint compound seals out air and moisture to deter surface oxidation
- Wide wire range-taking capability minimizes inventory requirements
- Plated steel or aluminum set screw provides high strength, durable electrical contact between conductor and connector
- UL Listed and CSA Certified for use up to 600 V and temperature rated 90°C



Part Number	Conductor Size Range	No. of Ports	Figure Dimensions (In.)				Mounting Hole Size (In.)	Hex Key Size (In.)	Std. Pkg. Qty.	
			L	W	H	S				M
PCSBMT2/0-4S-3Y	2/0 – #14 AWG STR #10 – #14 AWG SOL	4	4.20	1.31	1.50	0.67	3.61	1/4	1/2	3
PCSBMT2/0-6S-2Y		6	5.55	1.31	1.50	0.67	4.96	1/4	1/2	2
PCSBMT2/0-8S-2Y		8	6.89	1.31	1.50	0.67	6.30	1/4	1/2	2
PCSBMT2/0-10S2Y		10	8.24	1.31	1.50	0.67	7.65	1/4	1/2	2
PCSBMT2/0-12S1Y		12	9.58	1.31	1.50	0.67	8.99	1/4	1/2	1
PCSBMT250-4S-2Y		250 kcmil – #10 AWG STR	4	5.78	2.00	2.25	0.94	4.94	1/4	23/32
PCSBMT250-6S-2Y	6		7.66	2.00	2.25	0.94	6.82	1/4	23/32	2
PCSBMT250-8S-2Y	8		9.53	2.00	2.25	0.94	8.69	1/4	23/32	2
PCSBMT250-10S2Y	10		11.41	2.00	2.25	0.94	10.57	1/4	23/32	2
PCSBMT250-12S1Y	12	13.29	2.00	2.25	0.94	12.45	1/4	23/32	1	
PCSBMT350-4S-2Y	350 kcmil – #10 AWG STR	4	6.17	2.25	2.63	1.00	5.25	1/4	7/8	2
PCSBMT350-6S-2Y		6	8.17	2.25	2.63	1.00	7.25	1/4	7/8	2
PCSBMT350-8S-2Y		8	10.17	2.25	2.63	1.00	9.25	1/4	7/8	2
PCSBMT350-10S1Y		10	12.17	2.25	2.63	1.00	11.25	1/4	7/8	1
PCSBMT350-12S1Y	12	14.17	2.25	2.63	1.00	13.25	1/4	7/8	1	
PCSBMT600-4S-2Y	600 kcmil – #6 AWG STR	4	7.84	2.25	2.88	1.28	6.65	1/4	15/16	2
PCSBMT600-6S-2Y		6	10.41	2.25	2.88	1.28	9.22	1/4	15/16	2
PCSBMT600-8S-2Y		8	12.97	2.25	2.88	1.28	11.78	1/4	15/16	2
PCSBMT600-10S1Y		10	15.53	2.25	2.88	1.28	14.34	1/4	15/16	1
PCSBMT600-12S1Y	12	18.09	2.25	2.88	1.28	16.90	1/4	15/16	1	

A. System Overview

B1. Cable Ties

B2. Cable Accessories

B3. Stainless Steel Ties

C1. Wiring Duct

C2. Surface Raceway

C3. Abrasion Protection

C4. Cable Management

D1. Terminals

D2. Power Connectors

D3. Grounding Connectors

E1. Labeling Systems

E2. Labels

E3. Pre-Printed & Write-On Markers

E4. Permanent Identification

E5. Lockout/Tagout & Safety Solutions

F. Index